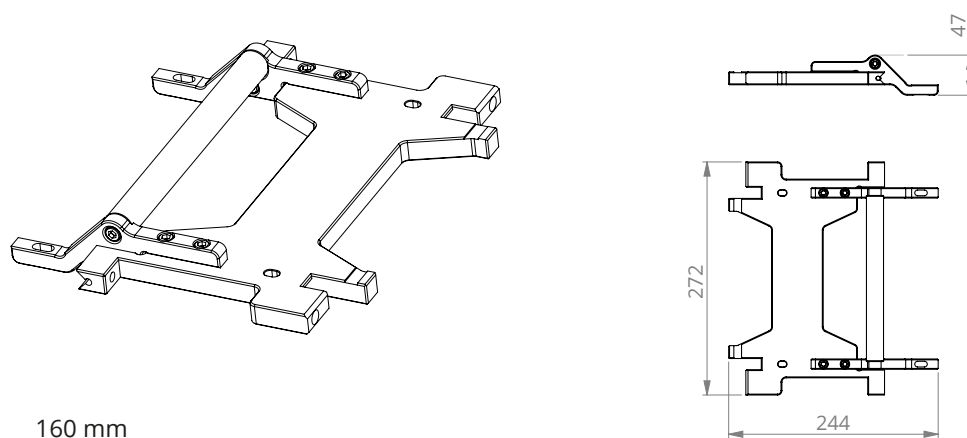
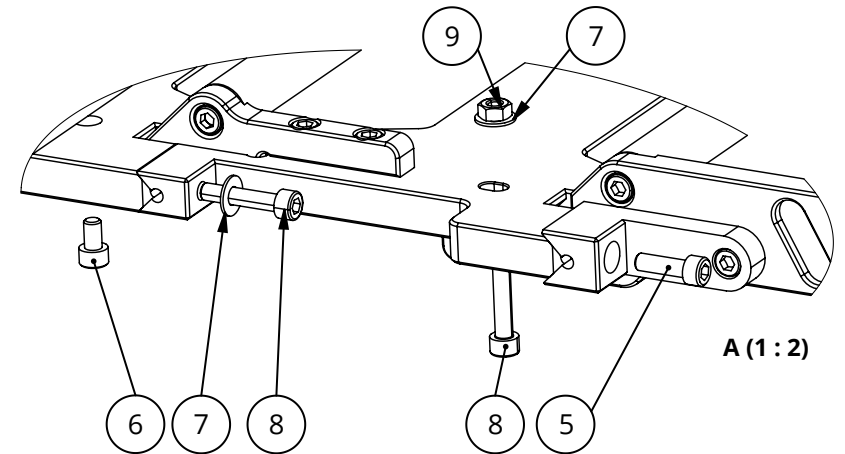


Compatibility with Mirror Head:
 MH14, MH15, MH17, MH18, MH19, MH20, MH21,
 MH23, MH24, MH25, MH26, MH27, MH28, MH30,
 MH33, MH43, MH47



Extension: 160 mm
Dimensions: 244 x 272 x 47mm (L/W/H)
Weight: 1,3 kg

* not included

Nr.	Component	quantity
1*	Projector	1
2*	Mirror Head Baseplate	1
3*	Mirror Head	1
4	Mirror Head Lens Extension	1
5	Screw DIN912 M6*20	2
6	Screw DIN912 M6*10	2
7	Washer M6	4
8	Screw DIN912 M6*30	4
9	Nut M6	2

The illustrations may differ in some details from the original.
 Subject to change without prior notice.



DYNAMIC PROJECTION
 INSTITUTE

office@dynamicprojection.com - www.dynamicprojection.com

Mirror Head Lens Extension

MHZ-LE8

2018-06-18