



#The MH44 – Mirror Head 44 Barco i600 Series

A tool the industry has been waiting for. – Align and move projection positions to create fascinating shows by adding a Mirror Head to a single-chip laser phosphor projector by Barco, like the i600-4K8, i600-4K10 and i600-4K15.

Unlock the full potential of your projector. – Use the Mirror Head to deflect projections into multiple directions with a single projector. Reach more surfaces and project content across an entire room or any environment.

Optimized for professional show integrators. – Our state-of-the-art products are made in Austria to guarantee reliable performance and accurate projection positioning, making them powerful tools to operate at industry-levels of efficiency.

Ideal for rental and touring. – #The MH44 is fully frame-compatible and allows quick, easy, and secure mounting in less than one minute when used with projector frames such as the Rigtec Air Frame X-12 and the EXACT Solutions GmbH EVO Frame P11 BE.

Ideal for temporary or permanent use. – The dynamic projection technology is used to design impactful visual installations and to provide flexibility when choosing the positions where video projectors are mounted.

A logical upgrade for projectors.



SPECIFICATIONS MIRROR HEAD MH44 WITH BARCO i600 4K15

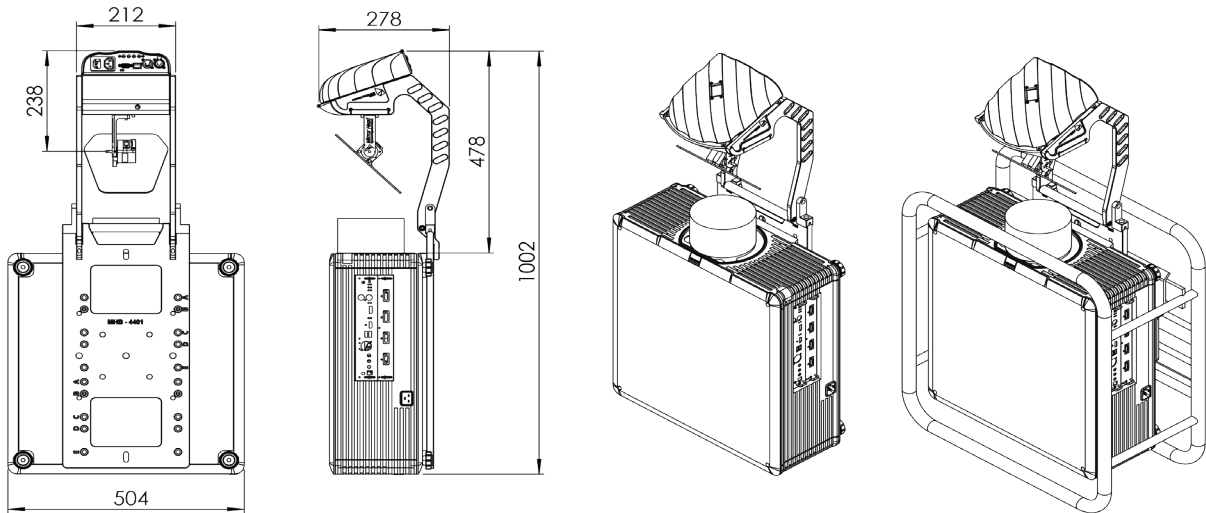


Figure with EVO Frame P11 BE

MECHANICAL SPECIFICATIONS

Fixture dimensions (W/D/H)	504 x 1002 x 278 mm
Fixture total	36.5 kg
Projector i600 4K15 + ILD 1.4-2.1:1	27.7 kg
Mirror Head MH44	8.8 kg
Fixture total with EVO Frame P11 BE	50 kg

ELECTRICAL SPECIFICATIONS

INPUT POWER 100-240V / 2-1A / 50-60Hz,
Max. 10A (3-prong C14 male socket)
POWER CONSUMPTION
Max. 17W
Standby mode 3W

PROJECTOR COMPATIBILITY

i600 4K8	3840 x 2400 (4K UHD) / 8000 ISO lumen
i600 4K10	3840 x 2400 (4K UHD) / 10000 ISO lumen
i600 4K15	3840 x 2400 (4K UHD) / 14.000 ISO lumen

IMPORTANT NOTE: For information about the specifications, operations and use of the projector carefully read the instruction manual of your projector.

<https://www.barco.com/en/product/i600-4k15>



Caution! There are no user serviceable parts (fuse) inside this unit.

ITEM NUMBER: MH44

Package dimensions: 650 x 380 x 380 mm

Package weight: 9,2 kg

Package includes: Mirror Head unit equipped with Mirror Wide, Projector plate MHB-4401, QIG, A/C power cable 1,8 m, Mounting screws, 2 mm metric hex key.

LENS COMPATIBILITY LIST

Lens type	R9803070	R9803061	R9803075	R9803073
Throw ratio 4K UHD /16:10	1.0-1.4:1	1.4-2.1:1	2.1-4.0:1	4.0-7.4:1

For optical reasons, we recommend a throw ratio of 1.4:1 or higher to achieve the maximum beam deflection range when using the Mirror Head MH44 equipped with a "MHR Mirror Wide" mirror.

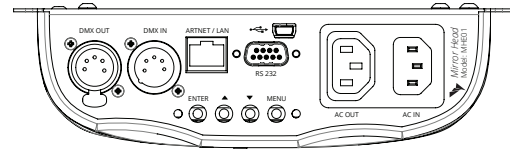
Lower throw ratios are also possible, but with certain limitations, such as a reduced mirror movement range, partial use of the image area, and image edges extending beyond the mirror surface. The latter is often not critical when projecting isolated or cut-out content. Depending on the setup, digital image resizing or cropping may also be required.

At throw ratios of 1.8:1 and above, an MHR Mirror Standard may also be used.

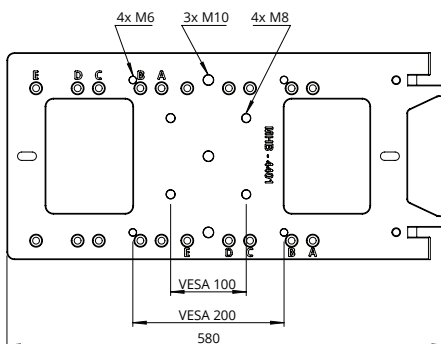
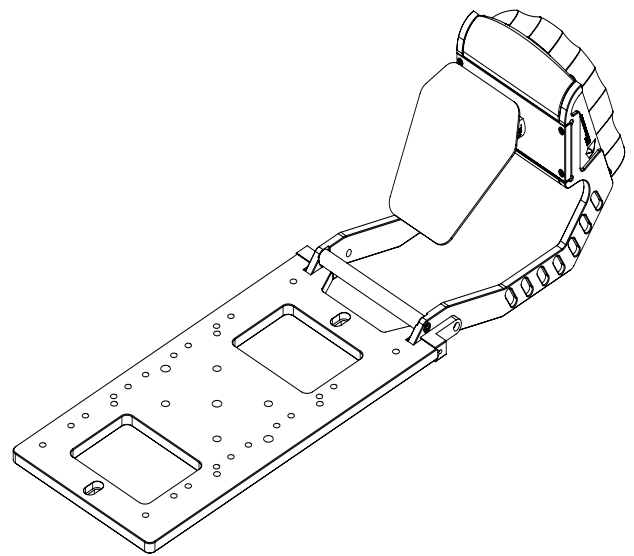


MIRROR HEAD SPECIFICATIONS / FEATURES

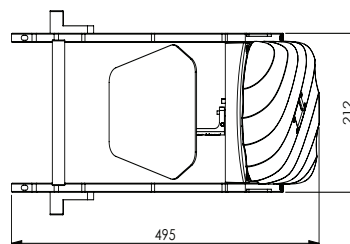
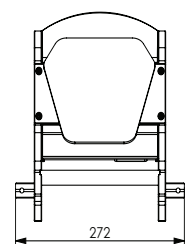
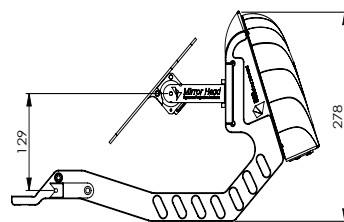
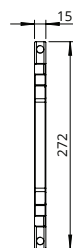
- High resolution 16bit PAN /TILT mirror movement
- DMX-512 control over 14 DMX channels
- DMX-IN and DMX-OUT /Through port (5-pin male and female XLR connectors)
- At least 5 channels are required to control the unit
- Art-Net™ connection (RJ45) (Art-Net™ designed by and Copyright Artistic License Holdings Ltd.)
- High resolution micro step motors with maintenance free direct drive
- Self calibrating mirror position for high accuracy
- Absolute reposition accuracy smaller than 0.02°
- Movement accuracy: PAN and TILT from the same direction to the programmed point within approximately 0.01°
- RS232 remote control connection for projector (D-sub 9 male) - cable included
- Flash-able firmware (Mini USB OTG)
- High resolution LED-Display for easy configuration
- LED-Display back-light auto turn off for energy saving
- Coated mirror for optimum reflection ~98% refraction factor
- Optimized mirror optics for the specific projector
- Passive cooled system (excluding projector)
- Environmental tolerances: Ambient operating temperature range: 5°–35°C, Humidity: 20%–80% (non-condensing)
- Quick, secure and easy snap-in mounting
- Anodized light metal construction
- Pre-installed DPCC web interface for dynamic projection show creation
- HTTP Control protocol



Control unit / MHE01



The MHB-4401 supports 3 x M10 threads
 VESA 100 with 4 x M8 and VESA 200 with 4 x M6
 max. screw depth = 15mm



To protect the environment, please try to recycle the packing material as much as possible.