



# #TheMH36 – Mirror Head 36 Panasonic PT-RQ35K Series

**#TheMH36 – A tool the industry has been waiting for.** – You can now align and move projection positions and create fascinating shows with a powerful 3-Chip-DLP Laser Projectors by Panasonic, like the PT-RQ35K and PT-RZ34K.

**Use your projectors to their full potential.** – #TheMH36 is the pair of wings for your projector. Now you can easily move projection positions to reach more surfaces and project bright and colourful content across an entire room.

**Optimized for professional show integrators.** – You can easily mount the base plate to your projector to use closed-type riggings such as half-coupler clamps.

**Ideal for rental and touring.** – #TheMH36 is 100% stack frame compatible with a quick, easy and secure mounting done in less than a minute with a projector frame like the EXACT solutions GmbH EVO-P30 or the Rigtec Air Frame X-50.

**It is important to note.** – #TheMH36 has been designed and is produced in Austria to ensure a high-level of performance. Dynamic Projection Institute has designed this powerful tool to operate at industry-levels of efficiency and we guarantee accurate projection positioning.

## SPECIFICATIONS MIRROR HEAD MH36 with Panasonic PT-RQ35K

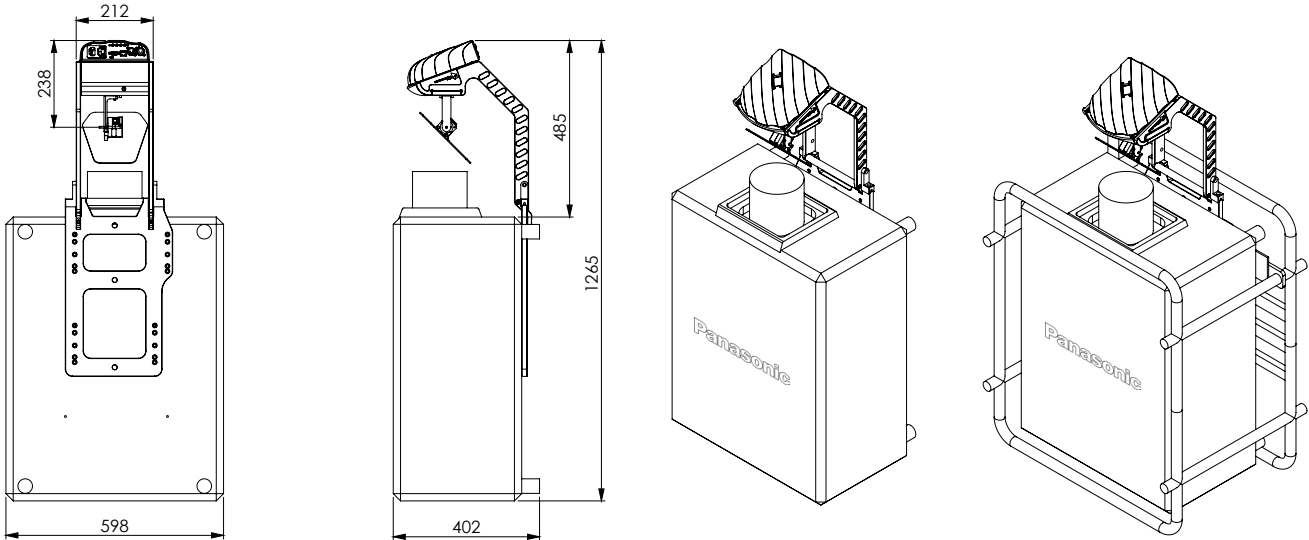


Figure with Frame EVO-P30

### MECHANICAL SPECIFICATIONS with Panasonic PT-RQ35K

Fixture dimensions (W/D/H)	598 x 1265 x 402 mm
Fixture total	82 kg
Projector + ET-D3LES20 Zoom Lens	75 kg
Mirror Head MH36	7 kg
Fixture total with EVO Frame P30	100 kg

### PROJECTOR COMPATIBILITY

PT-RQ35K	4K (3840 x 2400) / 30.500 Lumens
PT-RZ34K	WUXGA (1920 x 1200) / 30.500 Lumens

IMPORTANT NOTE: For information about the specifications, operations and use of the projector carefully read the instruction manual of your projector.

<https://panasonic.net/cns/projector/products/rq35k/>

### LENS COMPATIBILITY LIST


Lens Type	D3LEW10	D3LES20	D3LET30	D3LET40	D3LET80 (+)
Throw Ratio 4K/16:10	1.26:1.72:1	1.67:2.41:1	2.40-4.66:1	4.61-7.41:1	7.34-13.8:1

Lens Type	D75LE10	D75LE20	D75LE30	D75LE40	D75LE8 (+)
Throw Ratio 4K/16:10	1.30:1.67:1	1.67:2.41:1	2.41:4.66:1	4.62-7.41:1	7.34-13.8:1

(+) To be compatible use the Mirror Head Lens Extension MHZ-LE8.

### ELECTRICAL SPECIFICATIONS

INPUT POWER 100-240V / 2-1A / 50-60Hz,  
Max. 10A (3-prong C14 male socket)  
POWER CONSUMPTION  
Max. 17W  
Standby mode 3W

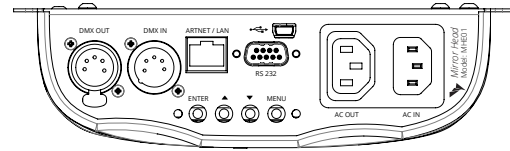
 Caution! There are no user serviceable parts (fuse) inside this unit.

### ITEM NUMBER: MH36

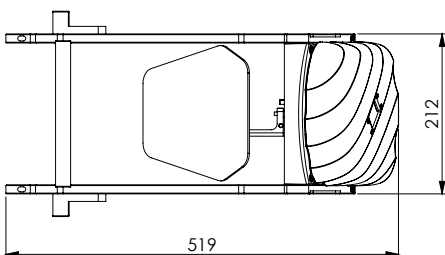
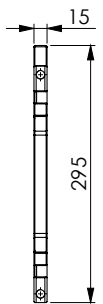
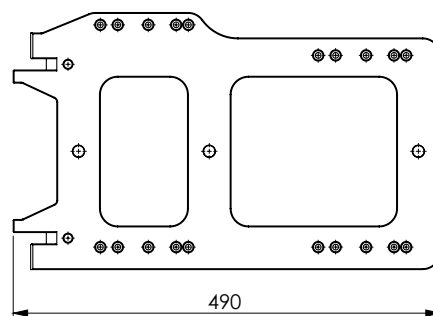
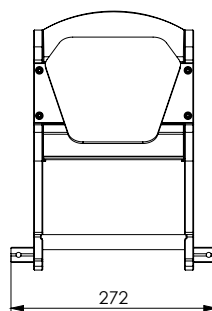
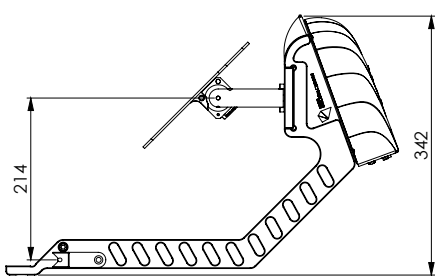
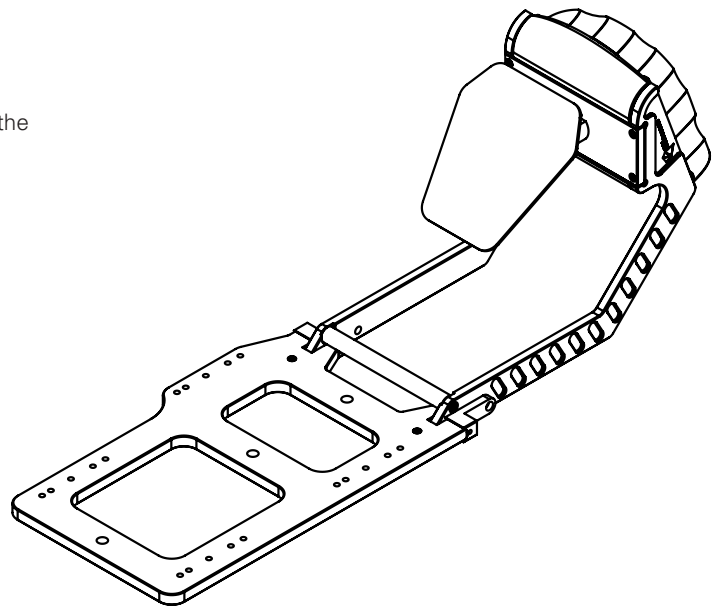
- Package dimensions (W/D/H): 590 x 380 x 380 mm
- Package weight: 9,7 kg
- Package includes: Mirror Head unit, Base Plate MHB-1404, QIG, RS232 cable, A/C power cable, Mounting screws and spacers, Metric Hex key 2 and 5 mm

## MIRROR HEAD SPECIFICATIONS / FEATURES

- High resolution 16bit Pan / Tilt mirror movement
- DMX-512 control over 14 DMX channels
- DMX-IN and DMX-OUT / Through port (5-pin male and female XLR connectors)
- At least 5 channels are required to control the unit
- Art-Net™ connection (RJ45) (Art-Net™ designed by and Copyright Artistic License Holdings Ltd.)
- High resolution micro step motors with maintenance free direct drive
- Self calibrating mirror position for high accuracy
- Absolute reposition accuracy smaller than 0.03°
- Movement accuracy: Pan and Tilt from the same direction to the programmed point within approximately 0.01°
- RS232 remote control connection for projector (D-sub 9 male) - cable included
- Flash-able firmware (Mini USB OTG)
- High resolution LED-Display for easy configuration
- LED-Display back-light auto turn off for energy saving
- Coated mirror for optimum reflection ~98% refraction factor
- Optimized mirror optics for the specific projector
- Passive cooled system (excluding projector)
- Environmental tolerances: Ambient operating temperature range: 5°–35°C, Humidity: 20%–80% (non-condensing)
- Quick, secure and easy snap-in mounting
- Anodized light metal construction
- DPCC web interface for easy show creation
- HTTP Control protocol



Control unit / MHE01



The MHB-1404 base plate supports 3 x M10 threads max. screw depth = 15mm.



To protect the environment, please try to recycle the packing material as much as possible.

