



#TheMH35 – Mirror Head 35 Panasonic PT-MZ16K Series

#TheMH35 – A tool the industry has been waiting for. – You can now align and move projection positions and create fascinating shows with a powerful LCD Laser Projector by Panasonic, like the PT-MZ16KL, PT-MZ13KL or PT-MZ10KL.

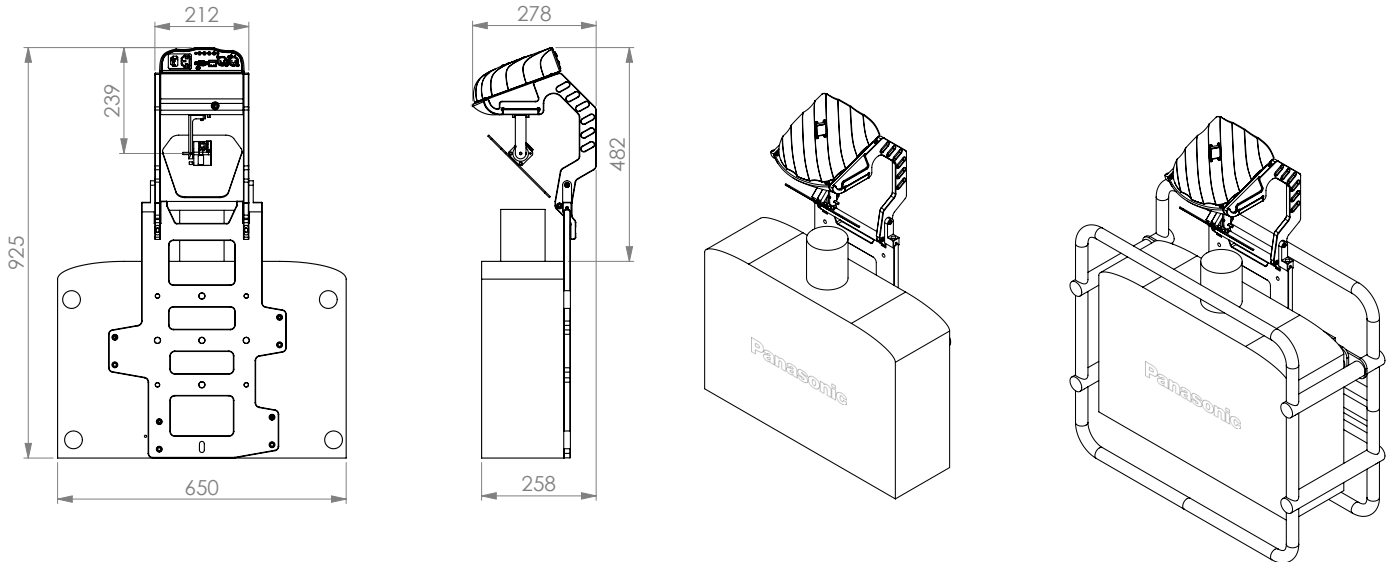
Use your projectors to their full potential. – #TheMH35 is the pair of wings for your projector. Now you can easily move projection positions to reach more surfaces and project bright and colourful content across an entire room.

Optimized for professional show integrators. – You can easily mount the base plate to your projector to use closed-type riggings such as half-coupler clamps or any VESA mount.

Ideal for rental and touring. – #TheMH35 is 100% stack frame compatible with a quick, easy and secure mounting done in less than a minute with a projector frame like the EXACT solutions GmbH EVO-P14.

It is important to note. – #TheMH35 has been designed and is produced in Austria to ensure a high-level of performance. Dynamic Projection Institute has designed this powerful tool to operate at industry-levels of efficiency and we guarantee accurate projection positioning.

SPECIFICATIONS MIRROR HEAD MH35 with Panasonic PT-MZ16KL



MECHANICAL SPECIFICATIONS with Panasonic PT-MZ16KL

Fixture dimensions (W/D/H)	650 x 278 x 925 mm
Fixture total	35 kg
Projector + Zoom Lens ET-EMS600	26 kg
Mirror Head MH35	9 kg
Fixture total with EVO Frame P14	53 kg

PROJECTOR COMPATIBILITY

PT-MZ16KL	WUXGA	16,000 Lumens
PT-MZ13KL	WUXGA	13,000 Lumens
PT-MZ10KL	WUXGA	10,000 Lumens


LENS COMPATIBILITY LIST

ET-EMS600	ET-EMT700	ET-EMT800
Zoom Lens TR: 1.35-2.10:1	Zoom Lens TR: 2.10-4.15:1	Zoom Lens TR: 4.12-7.40:1

NOTE: Due to optical reasons, we do not recommend using throw ratio below 1.6:1.

ELECTRICAL SPECIFICATIONS

INPUT POWER	100-240V / 2-1A / 50-60Hz, Max. 10A (3-prong C14 male socket)
POWER CONSUMPTION	Max. 17W Standby mode 3W

 Caution! There are no user serviceable parts (fuse) inside this unit.

ITEM NUMBER: MH35

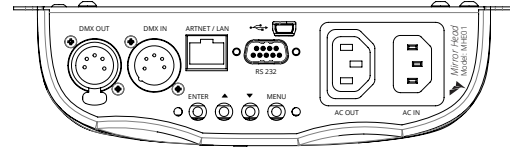
- Package dimensions (W/D/H): 600 x 450 x 400 mm
- Package weight: 12 kg
- Package includes: Mirror Head unit MH35, QIG, RS232 cable, A/C power cable, Mounting screws, Metric Hex key 2 mm and 5 mm

IMPORTANT NOTE: For information about the specifications, operations and use of the projector carefully read the instruction manual of your projector.

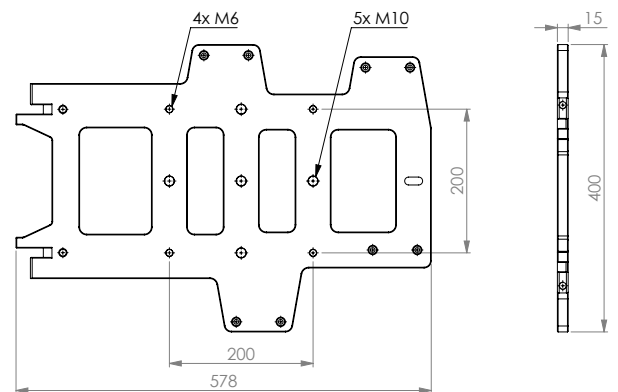
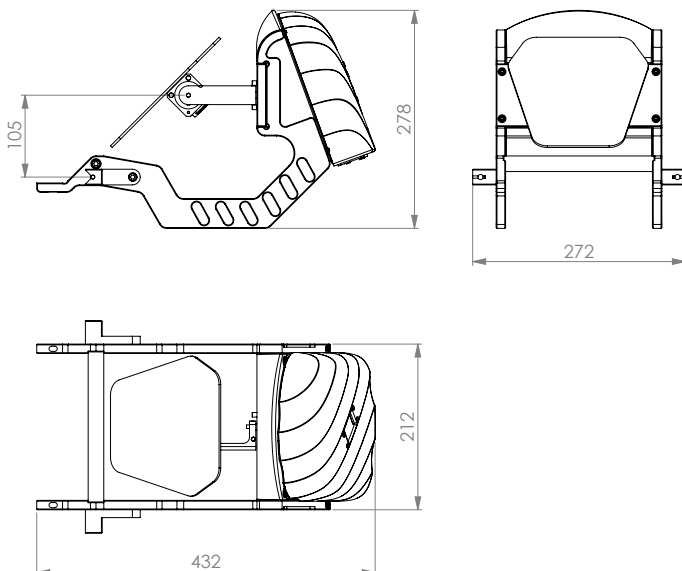
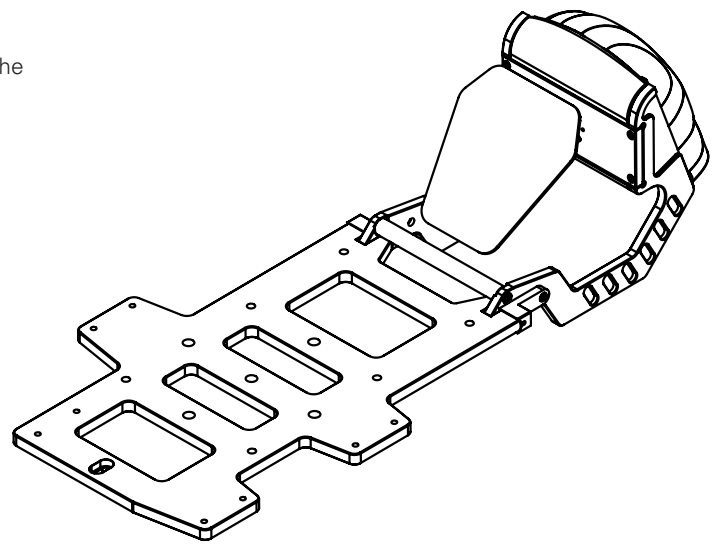
<https://business.panasonic.co.uk/visual-system/pt-mz16kl>

MIRROR HEAD SPECIFICATIONS / FEATURES

- High resolution 16bit Pan / Tilt mirror movement
- DMX-512 control over 14 DMX channels
- DMX-IN and DMX-OUT / Through port (5-pin male and female XLR connectors)
- 14 DMX channels are required to control the unit
- Art-Net™ connection (RJ45) (Art-Net™ designed by and Copyright Artistic License Holdings Ltd.)
- High resolution micro step motors with maintenance free direct drive
- Self calibrating mirror position for high accuracy
- Absolute reposition accuracy smaller than 0.03°
- Movement accuracy: Pan and Tilt from the same direction to the programmed point within approximately 0.01°
- RS232 remote control connection for projector (D-sub 9 male) - cable included
- Flash-able firmware (Mini USB OTG)
- High resolution LED-Display for easy configuration
- LED-Display back-light auto turn off for energy saving
- LED-Display Flip / Flop mode for easy reading in difficult positions
- Coated mirror for optimum reflection ~98% refraction factor
- Optimized mirror optics for the specific projector
- Passive cooled system (excluding projector)
- Environmental tolerances: Ambient operating temperature range: 5°–35°C, Humidity: 20%–80% (non-condensing)
- Quick, secure and easy snap-in mounting
- Anodized light metal construction



Control unit / MHE01



The MHB-3501 base plate supports 5 x M10 threads and VESA 200 with 4 x M6, max. screw depth = 15mm.

CAUTION: For the use of closed-type riggings such as half-coupler clamps secure the fixture with a safety cable (or other secondary attachments) that is approved for the weight of the fixture, so that the safety cable will hold the fixture if the primary attachment fails.



To protect the environment, please try to recycle the packing material as much as possible.

