



#TheMH35 – Mirror Head 35 Panasonic PT-MZ20KL Series

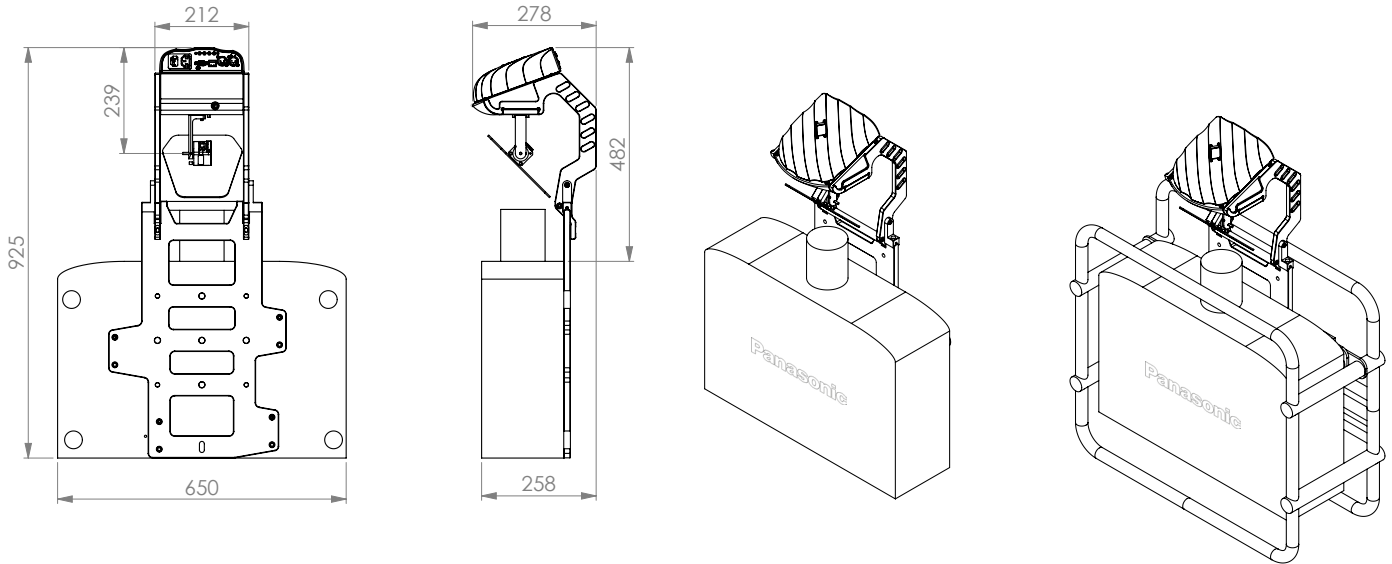
A tool the industry has been waiting for. – Align and move projection positions to create fascinating shows by adding a Mirror Head to a powerful 3LCD Laser Projector by Panasonic, like the PT-MZ20KL, PT-MZ17KL, PT-MZ14KL amm.

Unlock the full potential of your projector. – Use the Mirror Head to deflect projections into multiple directions with a single projector. Reach more surfaces and project content across an entire room or any environment.

Optimized for professional show integrators. – Our state-of-the-art products are made in Austria to guarantee reliable performance and accurate projection positioning, making them powerful tools to operate at industry-levels of efficiency.

Ideal for temporary or permanent use. – The dynamic projection technology is used to design impactful visual installations and to provide flexibility when choosing the positions where video projectors are mounted.

SPECIFICATIONS MIRROR HEAD MH35 with Panasonic PT-MZ20KL



MECHANICAL SPECIFICATIONS with PT-MZ20KL

Fixture dimensions (W/D/H)	650 x 278 x 925 mm
Fixture total	35 kg
Projector + Zoom Lens ET-EMS600	26 kg
Mirror Head MH35	9 kg
Fixture total with EVO Frame P14 / ETRFD50	53 kg

ELECTRICAL SPECIFICATIONS

INPUT POWER
100-240V / 2-1A / 50-60Hz, Max. 10A (3-prong C14 male socket)
POWER CONSUMPTION
Max. 17W Standby mode 3W

PROJECTOR COMPATIBILITY

PT-MZ20KL	WUXGA	20,000 Lumens
PT-MZ17KL	WUXGA	16,500 Lumens
PT-MZ14KL	WUXGA	14,000 Lumens
PT-MZ11KL	WUXGA	11,000 Lumens

Discontinued: PT-MZ16KL, PT-MZ13KL, PT-MZ10KL

Caution! There are no user serviceable parts (fuse) inside this unit.

LENS COMPATIBILITY LIST

ET-EMS650	ET-EMS750	ET-EMS850
WUXGA	WUXGA	WUXGA
T.R: 1.35 - 2.10:1	T.R: 2.10 - 4.14:1	T.R: 4.14 - 7.4:1

Due to optical reasons, we recommend a throw ratio over 1.6:1 to use the maximum movement spectrum of the beam deflection. It is also possible to use a lower throw ratio with certain limitations, such as: Limited mirror movement range, partial image use, spill of image edges, digitally resizing and cropping image. The mirror can be exchanged to a wider one.

ITEM NUMBER: MH35

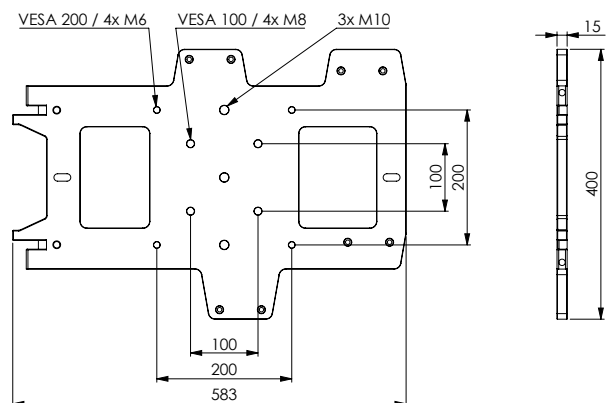
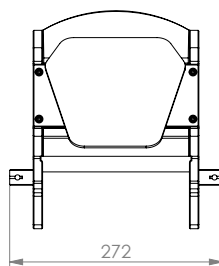
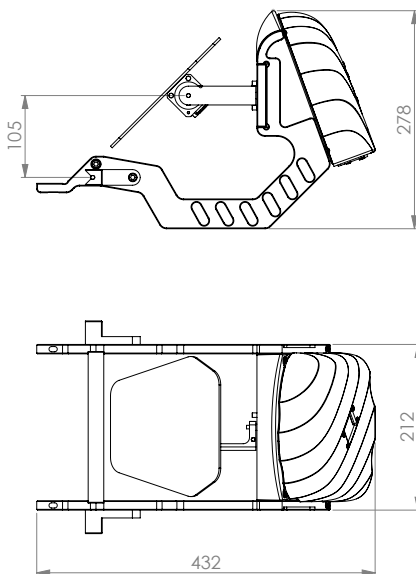
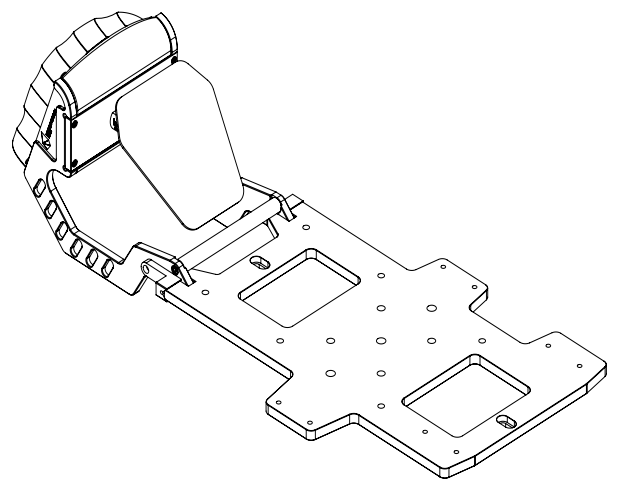
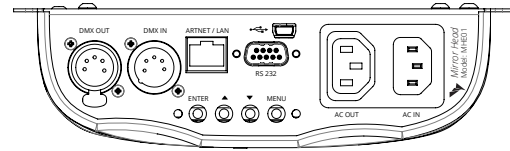
- Package dimensions (W/D/H): 600 x 450 x 400 mm
- Package weight: 12 kg
- Package includes: Mirror Head unit, Base Plate MHB-3502, QIG, RS232 cable, A/C power cable, Mounting screws, Metric Hex key 2 mm and 5 mm

IMPORTANT NOTE: For information about the specifications, operations and use of the projector carefully read the instruction manual of your projector.

<https://eu.connect.panasonic.com/gb/en/products/projectors/pt-mz20kl>

MIRROR HEAD SPECIFICATIONS / FEATURES

- High resolution 16bit Pan /Tilt mirror movement
- DMX-512 control over 14 DMX channels
- DMX-IN and DMX-OUT /Through port (5-pin male and female XLR connectors)
- Art-Net™ connection (RJ45) (Art-Net™ designed by and Copyright Artistic License Holdings Ltd.)
- HTTP Control protocol + MQTT Sub & Pub Control
- High resolution micro step motors with maintenance free direct drive
- Self calibrating mirror position for high accuracy
- Absolute reposition accuracy smaller than 0.03°
- Movement accuracy: Pan and Tilt from the same direction to the programmed point within approximately 0.01°
- Absolute reposition accuracy smaller than 0.02°
- RS232 remote control connection for projector (D-sub 9 male) - cable included
- Flash-able firmware (Mini USB OTG)
- LED-Display for easy configuration +back-light auto turn off for energy saving
- LED-Display Flip / Flop mode for easy reading in difficult positions
- Front surface mirror for optimum reflection ~98% refraction factor
- Optimized mirror optics for the specific projector
- Passive cooled system (excluding projector)
- Environmental tolerances: Ambient operating temperature range: 5°–35°C, Humidity: 20%–80% (non-condensing)
- Quick, secure and easy snap-in mounting
- Anodized light metal construction
- Pre-installed DPCC web interface for dynamic projection show creation



The MHB-3502 base plate supports 5 x M10 threads / holes and VESA 100 + 200, max. screw depth = 15mm.

CAUTION: For the use of closed-type riggings such as half-coupler clamps secure the fixture with a safety cable (or other secondary attachments) that is approved for the weight of the fixture, so that the safety cable will hold the fixture if the primary attachment fails.



To protect the environment, please try to recycle the packing material as much as possible.

