



#TheMH26 – Mirror Head 26

Epson EB-PU2000 Series

#TheMH26 – A tool the industry has been waiting for. – A tool the industry has been waiting for. – You can now align and move projection positions and create fascinating shows with 3LCD Laser projectors by Epson EB-PU2000 Series, like the EB-PU2010 / PU2113 / PU2213 / PU2116 / PU2216 / PU2120 or PU2220.

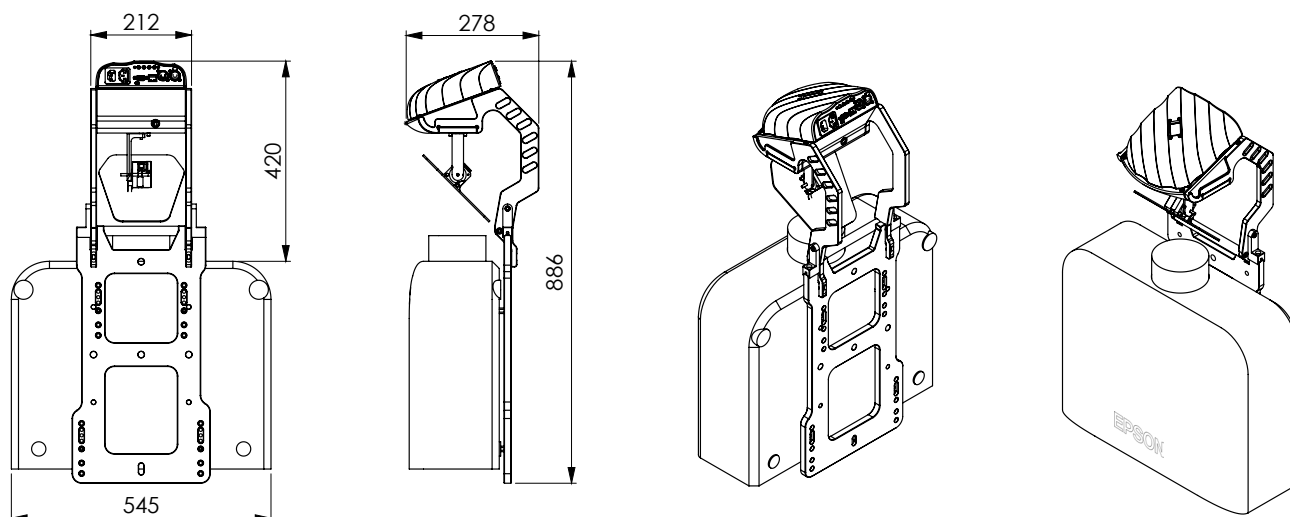
Use your projectors to their full potential. – #TheMH26 is the pair of wings for your projector. Now you can easily move projection positions to reach more surfaces and project bright and colourful content across an entire room.

Optimized for professional show integrators. – You can easily mount the base plate to your projector to use closed-type riggings such as half-coupler clamps or any VESA mount.

Ideal for rental and touring. – #TheMH26 is 100% stack frame compatible with a quick, easy and secure mounting done in less than a minute with projector frames, like the EXACT solutions EVO-E10, Lang AG ELPMB59 or Rigtec X30.

It is important to note. – #TheMH26 has been designed and is produced in Austria to ensure a high-level of performance. Dynamic Projection Institute has designed this powerful tool to operate at industry-levels of efficiency and we guarantee accurate projection positioning.

SPECIFICATIONS MIRROR HEAD MH26 WITH EB-PU2010B



MECHANICAL SPECIFICATIONS WITH EB-PU2010B


Fixture dimensions (W/D/H)	545 x 886 x 278 mm
Fixture total	34,5 kg
Projector with lens ELPLM15	26,3 kg
Mirror Head MH26	8,2 kg

ELECTRICAL SPECIFICATIONS

INPUT POWER	100-240V / 2-1A / 50-60Hz, Max. 10A (3-prong C14 male socket)
POWER CONSUMPTION	Max. 17W Standby mode 3W

PROJECTOR COMPATIBILITY

EB-PU2010B / EB-PU2010W	WUXGA / 4K-Enhancement	10.000 ANSI Lumens
EB-PU2113W / EB-PU2213B	WUXGA / 4K-Enhancement	13.000 ANSI Lumens
EB-PU2116W / EB-PU2216B	WUXGA / 4K-Enhancement	16.000 ANSI Lumens
EB-PU2120W / EB-PU2220B	WUXGA / 4K-Enhancement	20.000 ANSI Lumens

 Caution! There are no user serviceable parts (fuse) inside this unit.

IMPORTANT NOTE: For information about the specifications, operations and use of the projector carefully read the instruction manual of your projector.

<https://www.epson.eu/products/projectors/installation/eb-pu2010b>

ITEM NUMBER: MH26

- Package dimensions (W/D/H): 585 x 380 x 380 mm
- Package weight: 10,5 kg
- Package includes: Mirror Head unit, Base Plate MHB-2604, RS232 cable, QIG, A/C power cable, Mounting screws and spacers, Metric Hex key 2 and 5 mm

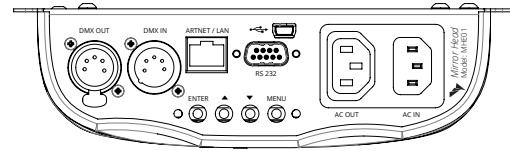
LENS COMPATIBILITY LIST

Part Nr.	ELPLW08	ELPLW06	ELPLM15	ELPLM10	ELPLM11	ELPLL08
Throw Ratio WUXGA	Wide Throw Zoom Lens 0.86-1.21:1	Wide Throw Zoom Lens 1.19-1.62:1	Middle Throw Zoom Lens 1.57-2.56:1	Middle Throw Zoom Lens 2.42-3.71:1	Middle Throw Zoom Lens 3.54-5.41:1	Long Throw Zoom Lens 5.27-7.41:1

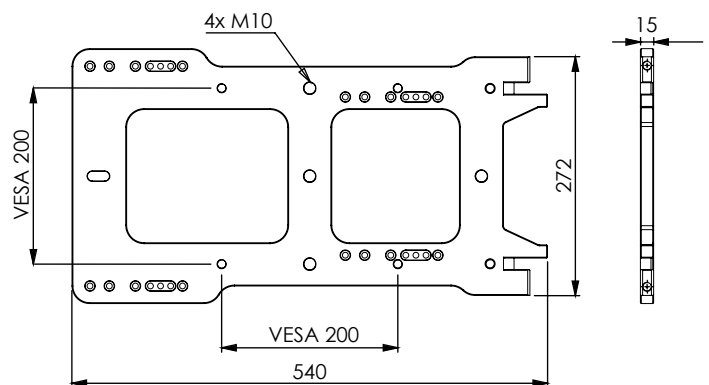
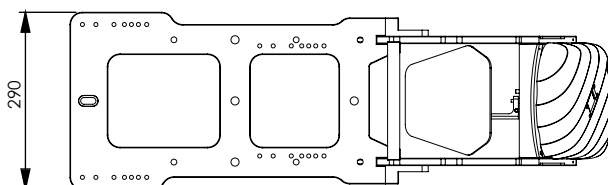
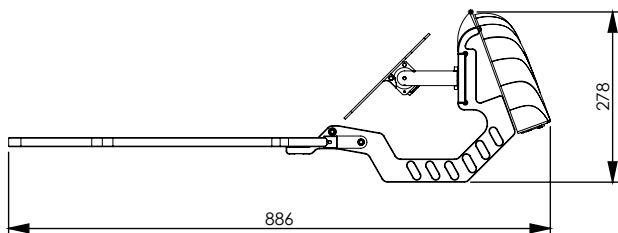
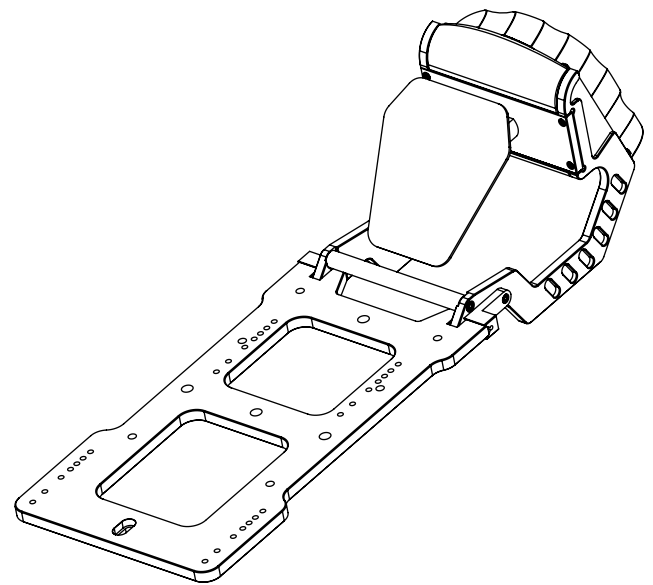
NOTE: Due to optical reasons, we recommend a throw ratio over 1.4:1 to use the maximum movement spectrum of the beam deflection. It is also possible to use a lower throw ratio with certain limitations, such as: Limited mirror movement range, partial image use, spill of image edges, digitally resizing and cropping image. The mirror can be exchanged to a wider one.

MIRROR HEAD SPECIFICATIONS / FEATURES

- High resolution 16bit Pan / Tilt mirror movement
- DMX-512 control over 14 DMX channels
- DMX-IN and DMX-OUT / Through port (5-pin male and female XLR connectors)
- 14 DMX channels are required to control the unit
- Art-Net™ connection (RJ45) (Art-Net™ designed by and Copyright Artistic License Holdings Ltd.)
- HTTP Control protocol + MQTT Sub & Pub Control
- High resolution micro step motors with maintenance free direct drive
- Self calibrating mirror position for high accuracy
- Movement accuracy: Pan and Tilt from the same direction to the programmed point within approximately 0.01°
- Absolute reposition accuracy smaller than 0.02°
- RS232 remote control connection for projector (D-sub 9 male) - cable included
- Flash-able firmware (Mini USB OTG)
- High resolution LED-Display for easy configuration
- LED-Display back-light auto turn off for energy saving
- LED-Display Flip / Flop mode for easy reading in difficult positions
- Front surface mirror for optimum reflection ~98% refraction factor
- Optimized mirror optics for the specific projector
- Passive cooled system (excluding projector)
- Environmental tolerances: Ambient operating temperature range: 5°–35°C, Humidity: 20%–80% (non-condensing)
- Quick, secure and easy snap-in mounting
- Anodized light metal construction
- Pre-installed DPCC web interface for dynamic projection show creation



Control Unit / MHE01



The MHB-2604 Base Plate supports 4 x M10 threads and VESA 200 with 4 x M6, max. screw depth = 15mm.



To protect the environment, please try to recycle the packing material as much as possible.

