



#TheMH23 – Mirror Head MH23 NEC PH3501QL / PH350Q40L Series

#TheMH23 – A tool the industry has been waiting for. – A tool the industry has been waiting for. – You can now align and move projection positions and create fascinating shows with 3-chip DLP Laser Projector by NEC, like the PH3501QL, PH350Q40L and many more.

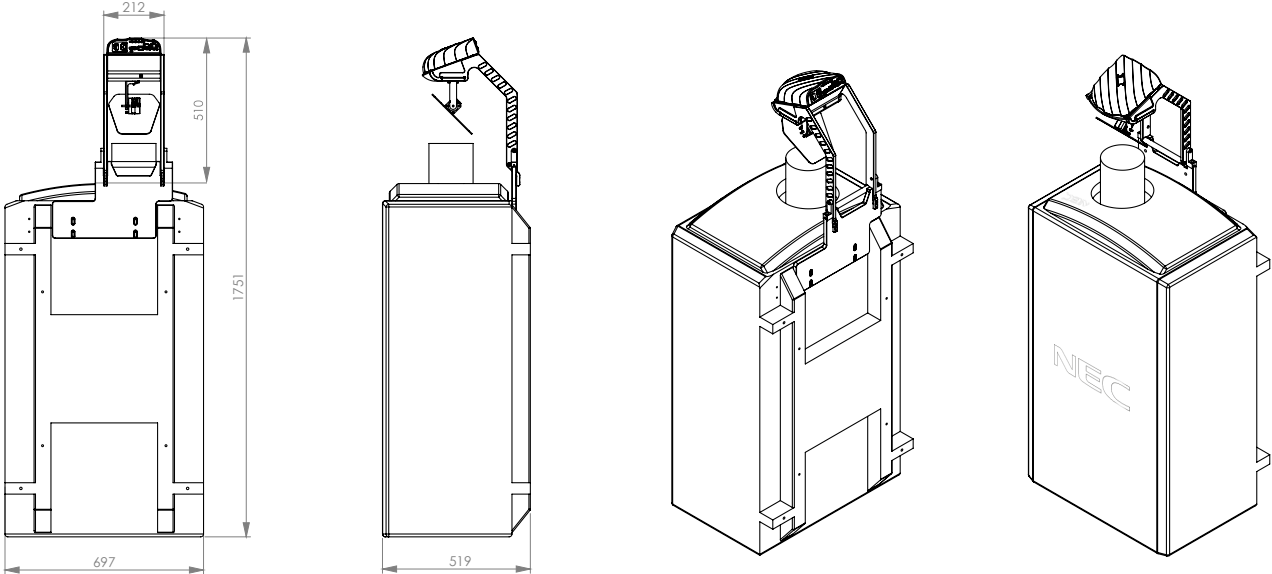
Use your projectors to their full potential. – #TheMH23 is the pair of wings for your projector. You can easily move projection positions to reach more surfaces and project bright and colourful content across an entire room.

Optimized for professional show integrators. – You can easily mount a base plate to any Mirror Head 23 compatible projector. Once mounted, your projector is ready for #TheMH23.

Ideal for rental and touring. – #TheMH23 is equipped with a quick, easy and secure mounting done in less than a minute while you are on the road.

It is important to note. – #TheMH23 has been designed and is produced in Austria to ensure a high-level of performance. Dynamic Projection Institute has designed this powerful tool to operate at industry-levels of efficiency and we guarantee accurate projection positioning.

SPECIFICATIONS MIRROR HEAD MH23 WITH NEC PH3501QL



**MECHANICAL SPECIFICATIONS WITH
NEC PH3501QL**

Fixture dimensions (W/D/H)	697 x 1751 x 519 mm
Fixture total	177 kg
Projector + Lens	169 kg
Mirror Head MH23	8 kg


ELECTRICAL SPECIFICATIONS

INPUT POWER
100-240V / 2-1A / 50-60Hz,
Max. 10A (3-prong C14 male socket)

POWER CONSUMPTION
Max. 17W
Standby mode 3W

PROJECTOR COMPATIBILITY

NP-PH3501QL	4096 x 2160 (4K)	40000 Lumen
NP-PH2601QL	4096 x 2160 (4K)	30000 Lumen
NP-PH350Q40L	4096 x 2160 (4K)	40000 Lumen
NP-PH260Q30L	4096 x 2160 (4K)	30000 Lumen

 **Caution!** There are no user serviceable parts (fuse) inside this unit.

LENS COMPATIBILITY LIST

L4K-15ZM	L4K-20ZM	L2K-30ZM	L2K-43ZM	L2K-55ZM
TR: 1.52-2.1:1	TR: 1.98-3.4:1	TR: 2.71-3.89:1	TR: 3.7-5.3:1	TR: 4.8-7.4:1

NOTE: Due to optical reasons we do not recommend this lens below a throw ratio of 1.6:1.

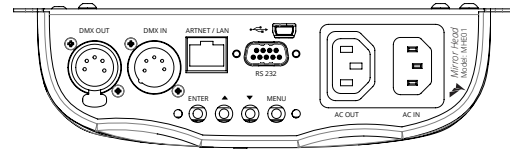
ITEM NUMBER: MH23

- Package dimensions (W/D/H): 650x375x370 mm
- Package weight: 11kg
- Package includes: Mirror Head unit, MHB-2301 Base Plate, QIG, RS232 cable, A/C power cable, Mounting screws, Metric Hex key 2 mm and 5 mm

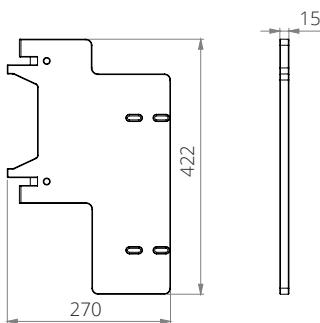
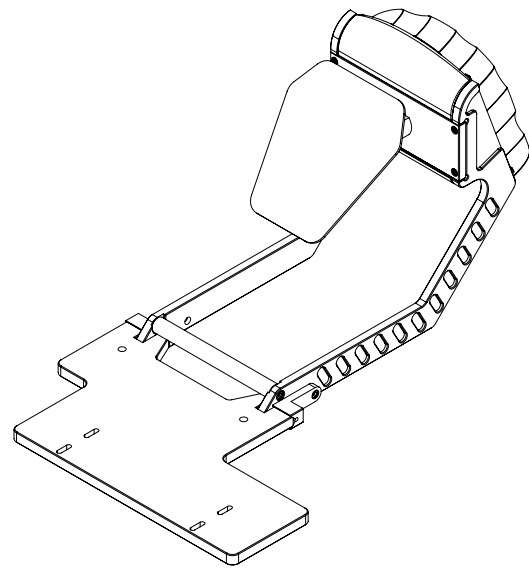
IMPORTANT NOTE: For information about the specifications, operations and use of the projector carefully read the instruction manual of your projector.
<https://www.sharpnecdisplays.eu/p/eeme/en/products/details/t/projectors/laser-projectors/rp/ph3501ql.shtml>

MIRROR HEAD SPECIFICATIONS / FEATURES

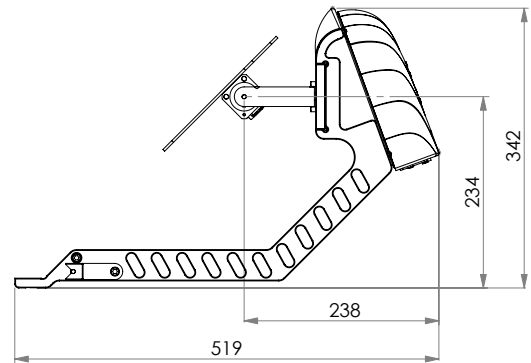
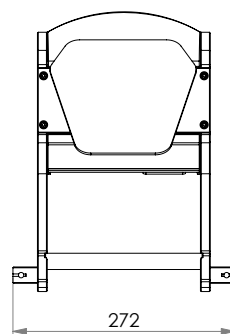
- High resolution 16bit Pan / Tilt mirror movement
- DMX-512 control over 14 DMX channels
- DMX-IN and DMX-OUT / Through port (5-pin male and female XLR connectors)
- 14 DMX channels are required to control the unit
- Art-Net™ connection (RJ45) (Art-Net™ designed by and Copyright Artistic License Holdings Ltd.)
- High resolution micro step motors with maintenance free direct drive
- Self calibrating mirror position for high accuracy
- Absolute reposition accuracy smaller than 0.03°
- Movement accuracy: Pan and Tilt from the same direction to the programmed point within approximately 0.01°
- RS232 remote control connection for projector (D-sub 9 male) - cable included
- Flash-able firmware (Mini USB OTG)
- High resolution LED-Display for easy configuration
- LED-Display back-light auto turn off for energy saving
- LED-Display Flip / Flop mode for easy reading in difficult positions
- Coated mirror for optimum reflection ~98% refraction factor
- Optimized mirror optics for the specific projector
- Passive cooled system (excluding projector)
- Environmental tolerances: Ambient operating temperature range: 5°–35°C, Humidity: 20%–80% (non-condensing)
- Quick, secure and easy snap-in mounting
- Anodized light metal construction



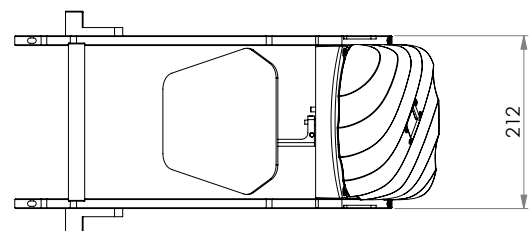
Control unit / MHE01



The MHB-2301 base plate



CAUTION: For the use of closed-type riggings such as half-coupler clamps secure the fixture with a safety cable (or other secondary attachments) that is approved for the weight of the fixture, so that the safety cable will hold the fixture if the primary attachment fails.



To protect the environment, please try to recycle the packing material as much as possible.

