

A logical upgrade
for projectors.



DYNAMIC PROJECTION
INSTITUTE



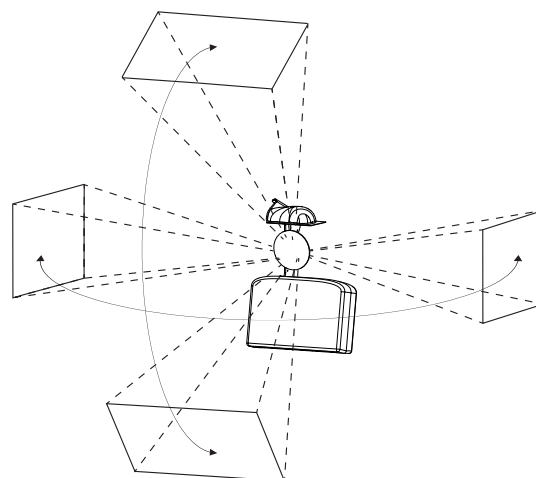
Mirror Head MH11 BenQ LU9255 / LU9245/ LU9235

Item Number: MH11-DEL1L

The Mirror Head is a modern high-tech mirror that is digitally operated and is used as an add-on for projectors. Through its high level of performance, the entire system guarantees highly accurate projection positioning and is a quality product "Made in Austria".

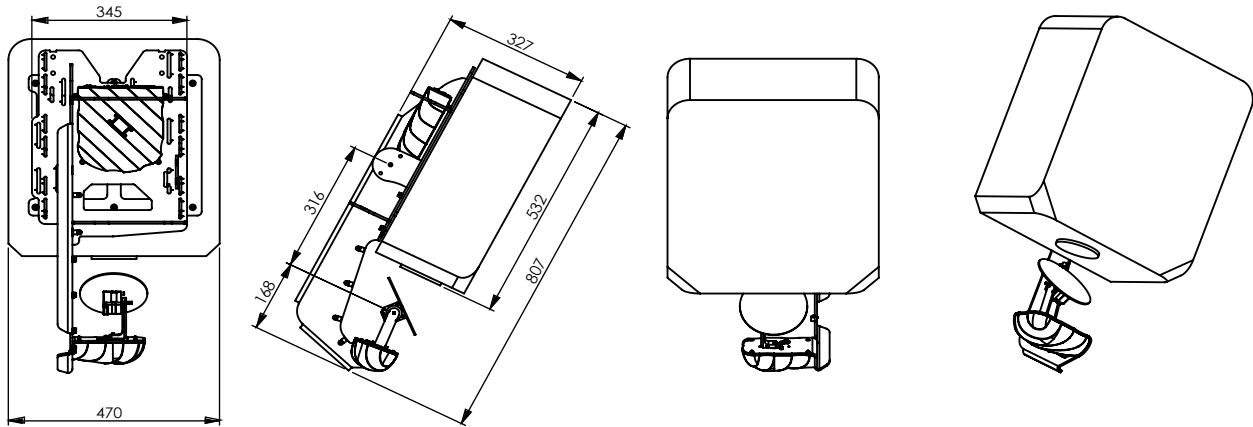
The Dynamic Projection Control Center - DPCC is pre-installed and delivered with each Mirror Head to offer a complete plug-n-play solution to easily start creating dynamic projection shows directly from a web browser and any operating system.

You can use the Mirror Head for a main screen position and in between moments, move the projections around or use other positions. Deflect projections digitally into multiple directions with a single projector. Reach more surfaces and project content across an entire room or any environment. Extend the functionality of video projectors and be flexible when choosing mounting positions.



A logical upgrade
for projectors.

Technical Specifications Mirror Head MH11 with BenQ LU9522



MECHANICAL SPECIFICATIONS

Fixture dimensions (W/D/H):	470 x 807 x 327 mm
Fixture total weight:	37,8 kg
Projector weight:	26 kg
Mirror Head unit only:	11,8 kg

ELECTRICAL SPECIFICATIONS

Input Power: 100-240V / 2-1A / 50-60Hz, Max. 10A (3-pol C14 male socket)

Output Power: AC loop trough for projector (3-pol C13 female socket) Max. 8A - cable included



Caution! There are no user serviceable parts (fuse) inside this unit.

PROJECTOR COMPATIBILITY

LU9255	8,500 Ansi Lumen	1920 x 1200 WUXGA
LU9245	7,000 Ansi Lumen	1920 x 1200 WUXGA
LU9235	6,000 Ansi Lumen	1920 x 1200 WUXGA

LENS COMPATIBILITY

Standard: 1.54~1.93

Semi Long: 1.93~2.9

Long Zoom1: 3.0~5.0

Due to optical reasons we recommend a throw ratio over 1.5:1.

IMPORTANT NOTE: For information about the specifications, operations and use of the projector please read the instruction manual of the projector.

<https://www.benq.eu/en-eu/business/projector/lu9255.html>

OPERATION SPECIFICATIONS / FEATURES

- DMX-512 control over 14 DMX channels.
- DMX IN / OUT port (5-pin male and female XLR connectors).
- Art-Net™ connection (RJ45) (Art-Net™ Designed by and Copyright Artistic Licence Holdings Ltd.).
- Mirror TILT modes: 90° & 162°
- Mirror PAN mode: 180°
- High resolution micro step motors with maintenance free direct drive.
- Self calibrating mirror position for high accuracy.
- Absolut reposition accuracy <0,03°.
- Movement accuracy: Pan and Tilt from the same direction to the programmed point within approximately 0,01°.
- RS232 remote control connection for projector (D-sub 9 male).
- Flashable firmware (Mini USB).
- High resolution LED-Display for easy configuration.
- LED-Display backlight auto turn off for energy saving.
- LED-Display Flip / Flop mode for easy reading in difficult positions.
- Coated mirror for optimum reflection ~98% refraction factor.
- Optimized mirror geometry for the specific projector.
- Ambient Light LED with high power 3 Colour LEDs (18Watt total).
- High durability black powder-coating surface finishing.
- Mounting plate optimized for specific projector mounting.
- Easy to adjust mounting system.
- Heavy-use truss or wall mounting supports.
- Passive cooled system (excluding projector).
- Environmental tolerances: Ambient operating temperature range: 5°-35°C, Humidity: 20%-80% (non-condensing).
- Package includes: RS232 cable, AC-loop through cable, Quick installation guide.



To protect the environment, please try to recycle the packing material as much as possible.

