

A logical upgrade  
for projectors.



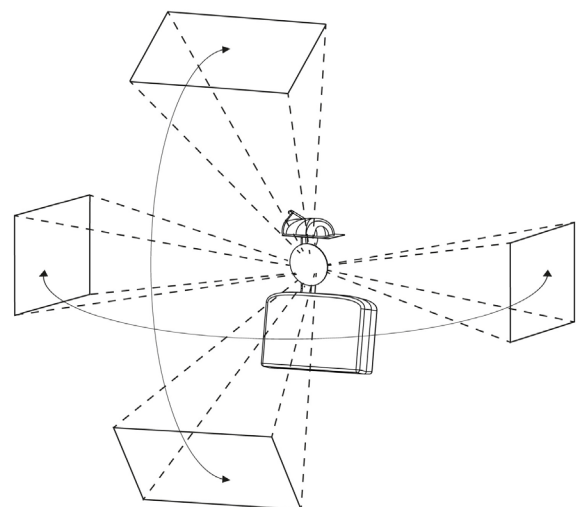
## Mirror Head MH09 EPSON EB-L500/600/700 Series

Item Number MH09-EBL6L

The Mirror Head is a modern high-tech mirror that is digitally operated and is used as an add-on for projectors. Through its high level of performance, the entire system guarantees highly accurate projection positioning and is a quality product "Made in Austria".

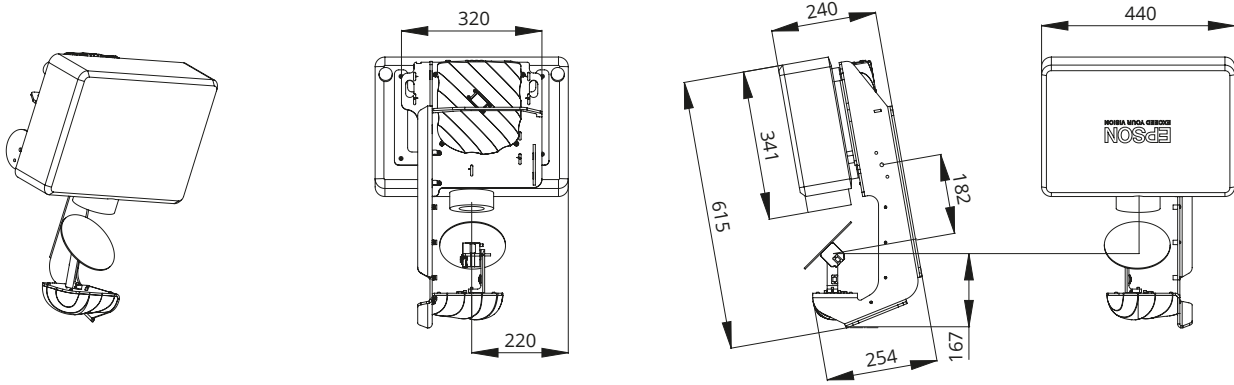
The Dynamic Projection Control Center - DPCC is pre-installed and delivered with each Mirror Head to offer a complete plug-n-play solution to easily start creating dynamic projection shows directly from a web browser and any operating system.

You can use the Mirror Head for a main screen position and in between moments, move the projections around or use other positions. Deflect projections digitally into multiple directions with a single projector. Reach more surfaces and project content across an entire room or any environment. Extend the functionality of video projectors and be flexible when choosing mounting positions.



# A logical upgrade for projectors.

## SPECIFICATIONS MIRROR HEAD MH09-EBL6L WITH EPSON EB-L730U



### MECHANICAL SPECIFICATIONS WITH EB-L730U

|                                  |                       |
|----------------------------------|-----------------------|
| Fixture dimensions (L / W / D):  | 440mm x 615mm x 254mm |
| Fixture total weight:            | 16,4kg                |
| Projector weight (without lens): | 8,4kg                 |
| Mirror Head unit only:           | 8,0kg                 |

### ELECTRICAL SPECIFICATIONS

|               |   |
|---------------|---|
| Input Power:  | 100-240V / 2-1A / 50-60Hz,<br>Max. 10A - 3-pol C14 male socket                      |
| Output Power: | AC loop trough for projector<br>3-pol C13 female socket<br>Max. 8A - cable included |

 Caution! There are no user serviceable parts (fuse) inside this unit.

### PROJECTOR COMPATIBILITY

|          |                     |             |
|----------|---------------------|-------------|
| EB-L520U | WUXGA (1920 x 1200) | 5300 Lumens |
| EB-L530U | WUXGA (1920 x 1200) | 5200 Lumens |
| EB-L630U | WUXGA (1920 x 1200) | 6200 Lumens |
| EB-L720U | WUXGA (1920 x 1200) | 7000 Lumens |
| EB-L730U | WUXGA (1920 x 1200) | 7000 Lumens |
| EB-L735U | WUXGA (1920 x 1200) | 7000 Lumens |

Discontinued models: EB-L400U, EB-L500, EB-L500W, EB-L510U, EB-L610, EB-L610W, EB-L610U, EB-L615U

### LENS COMPATIBILITY

Standard Zoom lens: Throw ratio: 1.35-2.20:1 (wide to tele)  
Due to optical reasons we recommend a throw ratio over 1.4:1.

IMPORTANT NOTE: For information about the specifications, operations and use of the projector please read the instruction manual of the projector.

<https://files.support.epson.com/docid/cpd6/cpd61218.pdf>

### OPERATION SPECIFICATIONS / FEATURES

- High resolution 16bit Pan /Tilt mirror movement
- DMX-512 control over 14 DMX channels
- DMX-IN and DMX-OUT /Through port (5-pin male and female XLR connectors)
- At least 5 channels are required to control the unit
- Art-Net™ connection (RJ45) (Art-Net™ designed by and Copyright Artistic License Holdings Ltd.)
- HTTP Control protocol
- High resolution micro step motors with maintenance free direct drive
- Self calibrating mirror position for high accuracy
- Absolute reposition accuracy smaller than 0.03°
- Movement accuracy: Pan and Tilt from the same direction to the programmed point within approximately 0.01°
- RS232 remote control connection for projector (D-sub 9 male) - cable included
- Flash-able firmware (Mini USB OTG)
- Ambient Light LED with high power 3 Colour LEDs (18Watt total).
- LED-Display for easy configuration
- Coated mirror for optimum reflection ~98% refraction factor
- Optimized mirror optics for the specific projector
- Passive cooled system, fanless (excluding projector)
- Environmental tolerances: Ambient operating temperature range: 5° -35°C, Humidity: 20%-80% (non-condensing)
- Mounting plate optimized for specific projector mounting.
- High durability black powder-coating surface finishing.
- Pre-installed DPCC plug-n-play solution to use a Mirror Head directly from a web browser and any operating system
- HTTP Control protocol
- Package includes: RS232 cable, AC-loop through cable, Quick installation guide



To protect the environment, please try to recycle the packing material as much as possible.

