



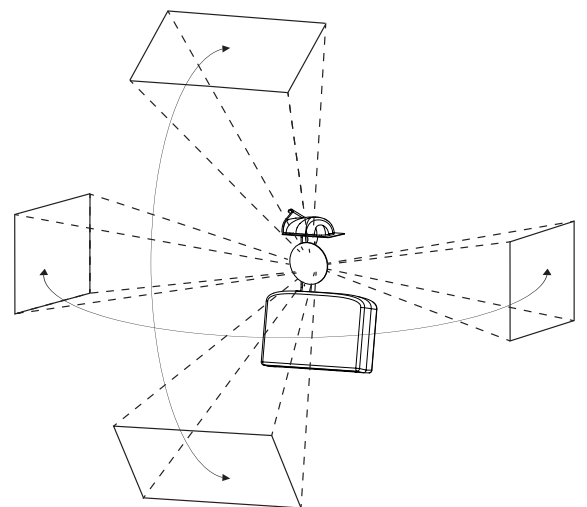
Mirror Head MH09 EPSON EB-L600 Series

Item Number MH09-EB6L

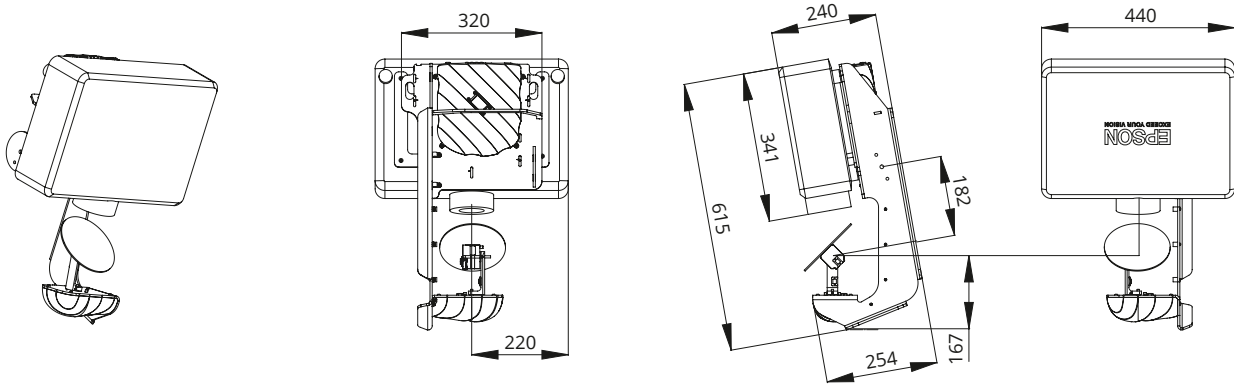
The Mirror Head is a modern high-tech mirror that is digitally operated and is used as an add-on feature for projectors. It can be set to move either rapidly or slowly to project pictures, videos and texts onto any imaginable surface.

Through its high level of performance, the entire system guarantees highly accurate positioning. It is important to note that the Mirror Head is also extendable to almost every projector and a quality product made in Austria.

Static projection belongs to the past. The journey into a new visual experience begins here. Our technology paves the way to unprecedented possibilities in lighting, projection and interior design.



Specifications Mirror Head MH09-EB6L with Epson EB-L610U



MECHANICAL SPECIFICATIONS WITH EB-L610U

Fixture dimensions (L / W / D):	440mm x 615mm x 254mm
Fixture total weight:	16,5kg
Projector weight (without lens):	8,5kg
Mirror Head unit only:	8,0kg

ELECTRICAL SPECIFICATIONS

Input Power:	100-240V / 2-1A / 50-60Hz, Max. 10A (3-pol C14 male socket)
Output Power:	AC loop trough for projector (3-pol C13 female socket) Max. 8A - cable included

Caution! There are no user serviceable parts (fuse) inside this unit.

PROJECTOR COMPATIBILITY

EB-L400U 4500 ANSI Lumen	EB-L500 5000 ANSI Lumen
EB-L500W 5000 ANSI Lumen	EB-L510U 5000 ANSI Lumen
EB-L610 6000 ANSI Lumen	EB-L610U 6000 ANSI Lumen
EB-L610W 6000 ANSI Lumen	EB-L615U 6000 ANSI Lumen

LENS COMPATIBILITY

Standard Zoom lens: Throw ratio: 1.35-2.2 (wide to tele)
Due to optical reasons we recommend a throw ratio over 1.5.1.

IMPORTANT NOTE: For information about the specifications, operations and use of the projector please read the instruction manual of the projector.

<https://www.epson.at/products/projectors/installation/epson-eb-l610u>

OPERATION SPECIFICATIONS / FEATURES

- DMX-512 control over 14 DMX channels
- DMX IN / OUT port (5-pin male and female XLR connectors)
- Art-Net™ connection (RJ45) (Art-Net™ designed by and Copyright Artistic Licence Holdings Ltd.)
- Mirror Tilt modes: 90° & 162°
- Mirror Pan mode: 180°
- High resolution micro step motors with maintenance free direct drive
- Self calibrating mirror position for high accuracy
- Absolute reposition accuracy <0,03°
- Movement accuracy: Pan and Tilt from the same direction to the programmed point within approximately 0,01°
- RS232 remote control connection for projector
- (D-sub 9 male) - cable included
- Flashable firmware (Mini USB)
- High resolution LED-Display for easy configuration
- LED-Display backlight auto turn off for energy saving
- LED-Display Flip / Flop mode for easy reading in difficult positions
- Coated mirror for optimum reflection ~98% refraction factor
- Optimized mirror optics for the specific projector
- Ambient Light LED with high power 3 Colour LEDs (17,9 Watt total)
- High durability black powder-coating surface finishing
- Mounting plate optimized for specific projector mounting
- Easy to adjust mounting system
- Heavy-use truss or wall mounting supports
- Passive cooled system (excluding projector)
- Environmental tolerances: Ambient operating temperature range: 5° – 35°C, Humidity: 20% – 80% (non-condensing)
- Package includes: RS232 cable, AC-loop through cable, Quick installation guide



To protect the environment,
please try to recycle the packing
material as much as possible.

